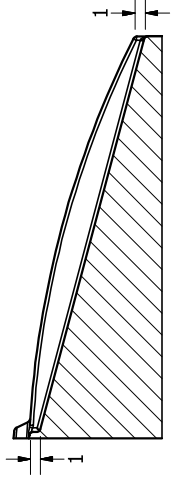
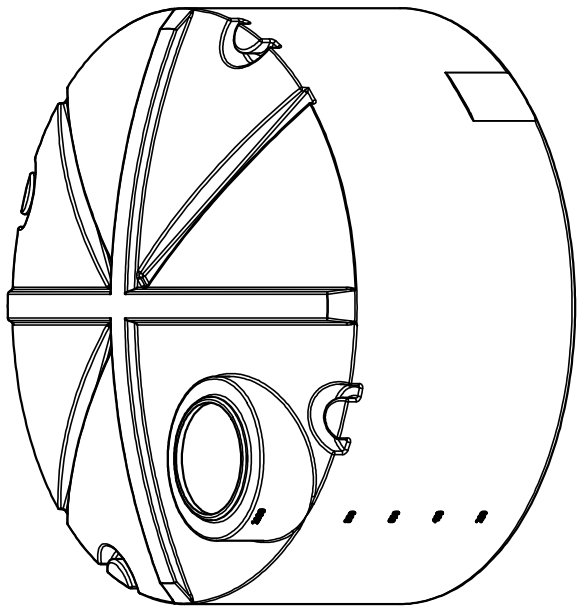
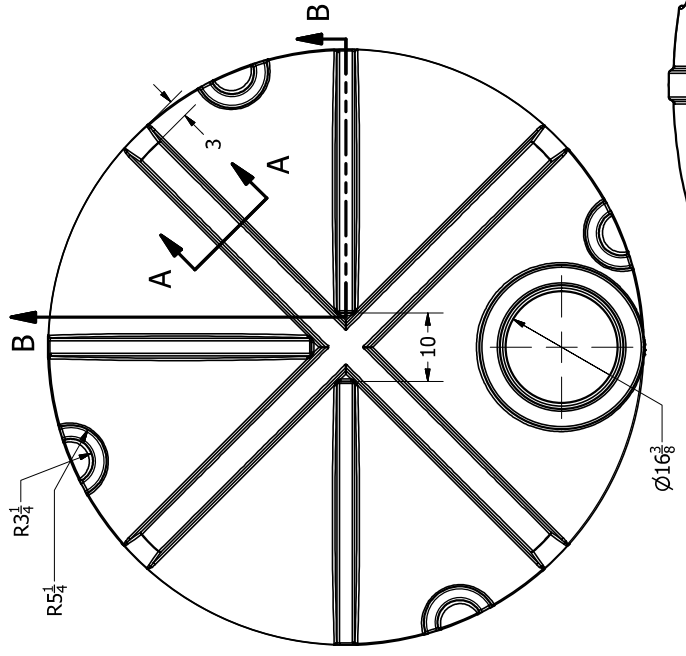



SECTION A-A
SCALE 1:10



SECTION B-B
SCALE 1:12



| REVISION HISTORY | | DESCRIPTION | DATE | AUTHOR |
|---|---|---------------|----------|----------------|
| REV | A | REDRAWN | 7/8/2013 | Michael Holden |
| DRAWN | | 5/5/2003 | | |
| CHECKED | | Jerry Paulson | | |
| QA | | | | |
| MFG | | | | |
| APPROVED | | | | |
| SIZE | | DWG NO | | |
| B | | | | |
| SCALE: 1/16 | | SHEET 1 OF 1 | | |
|  ONTARIO PLASTIC FABRICATORS Real Service. Real Solutions. | | | | |
| 1100 GALLON VERTICAL TANK W/ GUSSET DOME | | | | |